

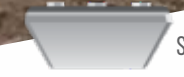
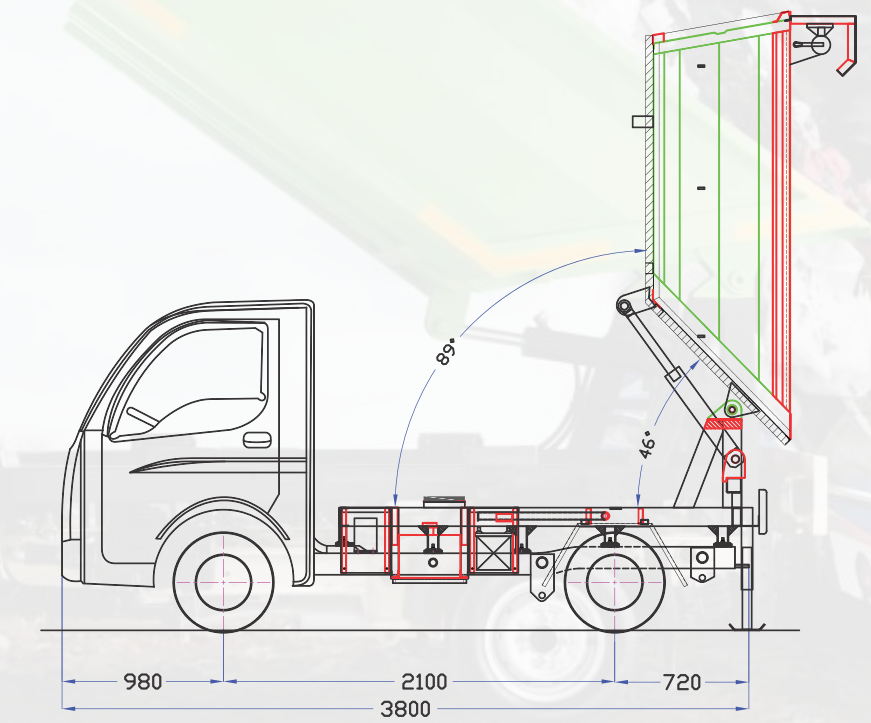
THE WASTE DISPOSAL MANAGEMENT EXPERT

Presenting **TATA ACE HOPPER TIPPER**, equipped with engine driven hydraulic system for efficient and effective waste disposal management.



Category	Parameter	Ace Hopper Tipper
Performance	Engine type	2 cylinder 700 cc IDI
	Power	16 HP @ 3200 RPM
	Torque	38 NM @ 2000 RPM
	Grade-ability	22%
	Top Speed (km/H)	60
Aggregates	Steering	Manual Steering
	Suspension	Front and rear leaf springs
	Tyre size	12 inch
	Wheel Base (mm)	2100
Hydraulics	Make and Model	Wipro TC 246
	Type	Vehicle engine driven hydraulic system

Category	Parameter	Ace Hopper Tipper
Body details	Capacity	1.8 cubic meters
	Body size (L x B x H) mm (External)	2300 x 1500 x 735
	Body size (L x B x H) Feet (External)	7.5 x 4.9 x 2.4
	Body Panels	1.6 mm
	Floor panel	2mm
	Tipping angle	85 to 89 degrees
	Additional Feature	Tarpaulin cover and Partition for Wet and Dry garbage



STEEL BUCKET FOR LONG LIFE



2 YEAR/72 000 KMS WARRANTY



SUPERIOR PERFORMANCE



BUSINESS READY



MORE SAFETY